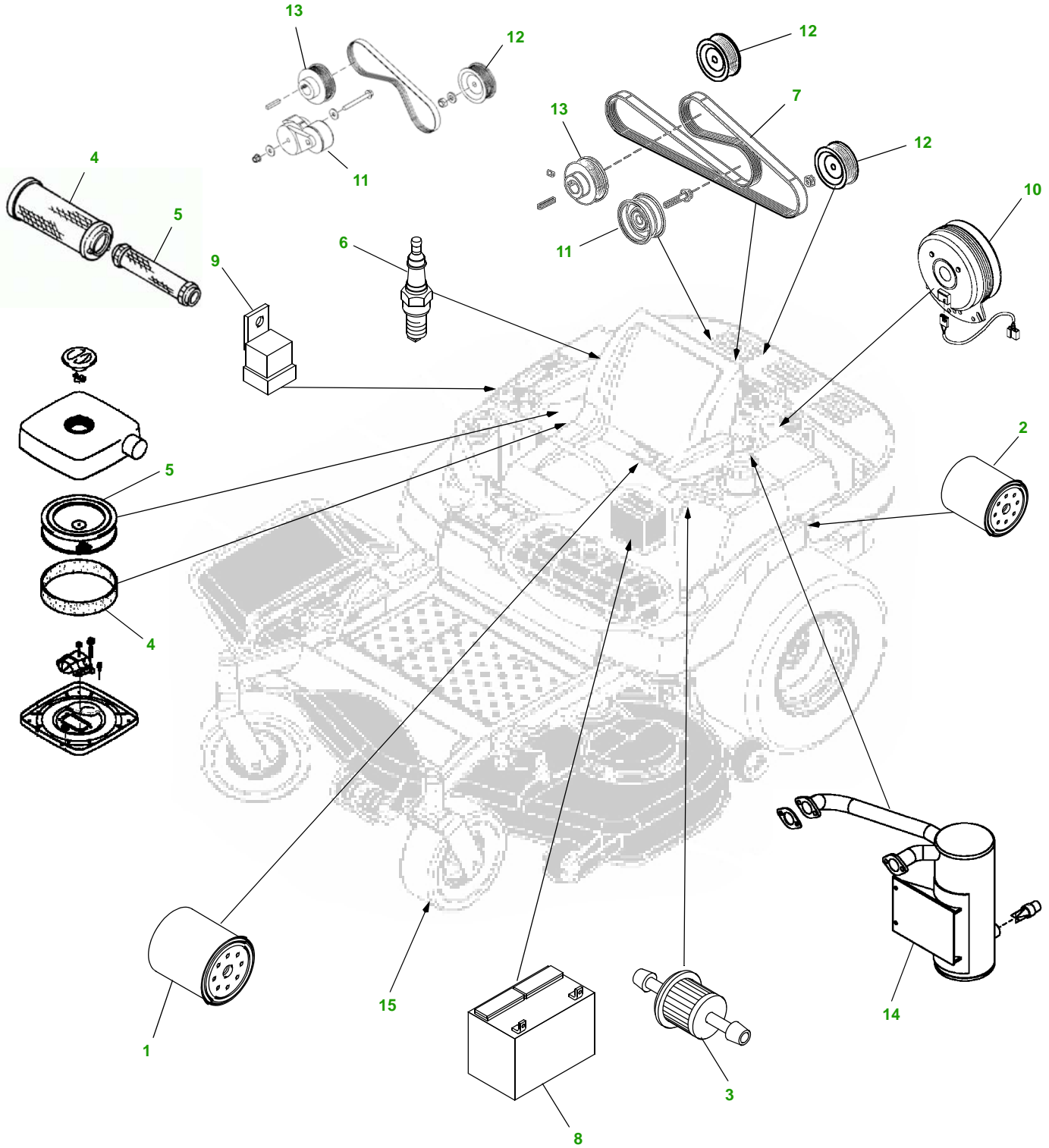


737 / 757

(Mid-Frame Z-TRAKS)



key	part no.	description	key	part no.	description
1	AM107423	OIL FILTER - ENGINE	10	TCA12522	CLUTCH - PTO - S/N —040000
2	AM39653	OIL FILTER - HYDRAULIC - S/N —030000		TCA15800	CLUTCH - PTO - S/N 040001—
	AM131054	OIL FILTER - HYDRAULIC - S/N 030001—	11	TCA13020	IDLER - S/N —030000
3	AM116304	FUEL FILTER		TCA15237	BELT TENSIONER - S/N 030001—
4	M149119	AIR FILTER - FOAM	12	TCU13776	PULLEY - S/N —030000
	M144100	AIR FILTER - OUTER - HEAVY DUTY		TCU16032	PULLEY - S/N 030001—
5	M149118	AIR FILTER - PAPER	13	TCU13780	PULLEY - S/N —030000
	M144098	AIR FILTER - INNER - HEAVY DUTY		TCU16033	PULLEY - S/N 030001—
6	M805853	SPARK PLUG	14	TCA18857	MUFFLER
7	TCU12829	BELT, HYDRAULIC PUMP - S/N —030000		M136651	MUFFLER GASKET
	TCU16026	BELT, HYDRAULIC PUMP - S/N 030001—	15	TCA13769	WHEEL & TIRE ASSY (FRONT)
8	TY25221	BATTERY - DRY		TCU15970	TIRE
9	AM123716	RELAY			

PARTS IN BOLD PRINT ARE RECOMMENDED SPARES TO HAVE ON HAND

Parts Needed in First 250 hours of Operation

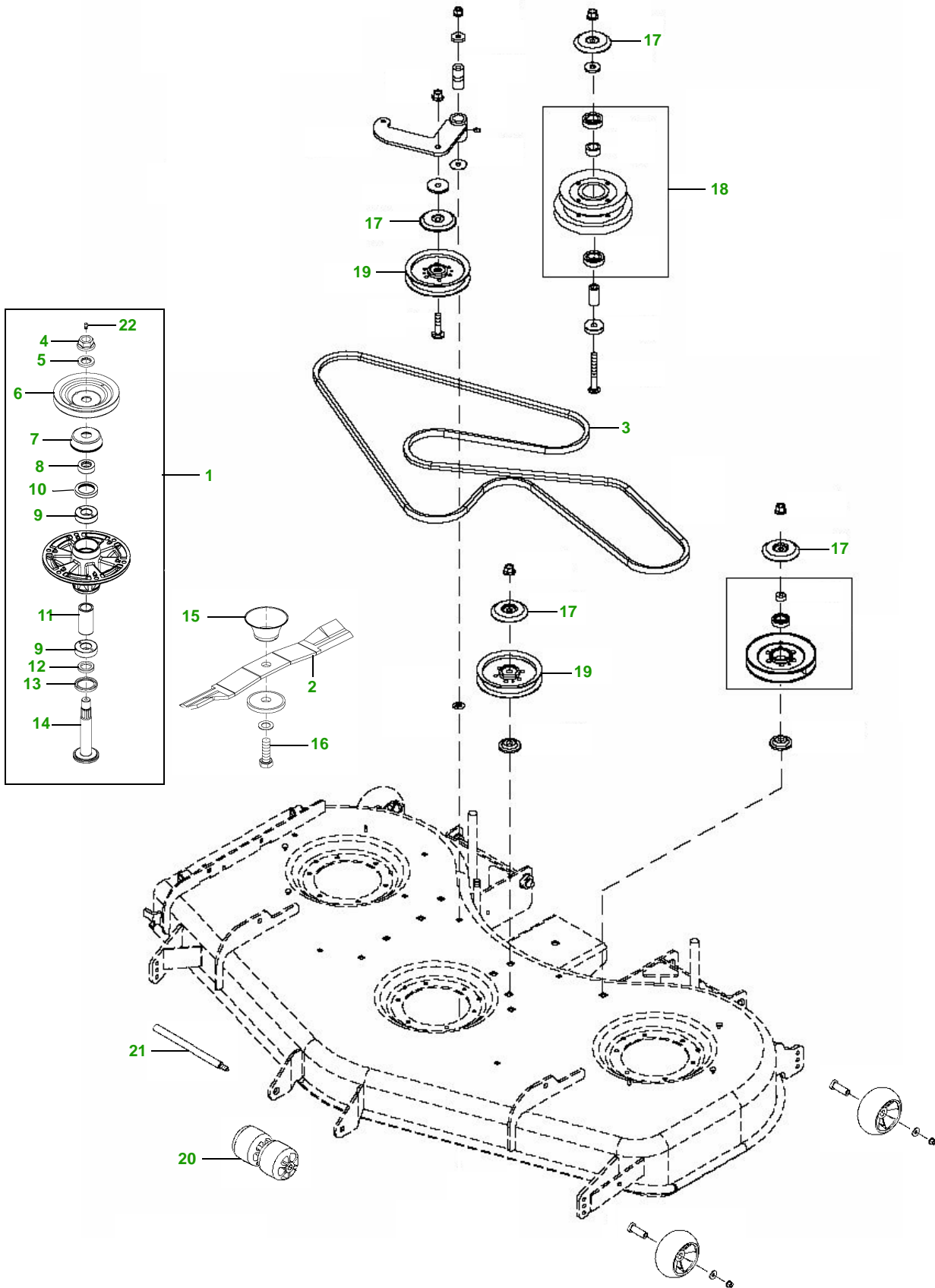
Qty	Part No	Item	Capacity	Interval In Hours
3	AM107423	Engine Oil Filter		5/100/200
6	TY22029	1 qt Turf Gard 10W30 Engine Oil	1.5 qt	5/100/200
3	TY6341	Multi Purpose SD Polyurea Grease (14 oz)		As Needed

"As Needed" Parts

Qty	Part Number	Item
1	AM39653	Hydraulic Oil Filter - S/N —030000
1	AM131054	Hydraulic Oil Filter - S/N 030001—
11	TY24349	1 qt Plus 50 0W40 Transmission Oil
1	M149119	Air Filter - Foam
1	M144100	Air Filter - Outer - Heavy Duty
1	M149118	Air Filter - Paper
1	M144098	Air Filter - Inner - Heavy Duty
1	AM116304	Fuel Filter
2	M805853	Spark Plugs
1	TCU12829	Belt - Hydraulic Pump - S/N —030000
1	TCU16026	Belt - Hydraulic Pump - S/N 030001—
1	TCA16216	Filler Cap
1	AM130907	Mower Deck Leveling Gauge
1	TY26183	Grease Gun
3	M144652	Blades - 54 in High Lift - Standard
3	M136195	Blades - 54 in Medium Lift
3	TCU15881	Blades - 60 in High Lift - Standard
3	M128485	Blades - 60 in Medium Lift
1	TCU13196	Belt - 54 in and 60 in

54 in. / 60 in. decks

(Mid-Frame Z-TRAKS)



key	part no.	description	key	part no.	description
1	TCA13807	SPINDLE ASSEMBLY (3)	11	M127517	SPACER (3)
2	M144652	BLADE - HIGH LIFT STD (3) (54")	12	M133398	BUSHING (3)
	M136195	BLADE - MEDIUM LIFT OPTION (3) (54")	13	M127198	SEAL (3)
	TCU15881	BLADE - HIGH LIFT STD (3) (60")	14	M134382	SPINDLE (3)
	M128485	BLADE - MEDIUM LIFT OPTION (3) (60")	15	M134305	DEFLECTOR (3)
3	TCU13196	BELT (1) (54")	16	19M7489	CAP SCREW (3)
	TCU13198	BELT (1) (60")	17	M133598	SHIELD (4)
4	M123569	FLANGE NUT (3)	18	TCA13237	IDLER (1)
5	M127353	BUSHING (3)	19	AM124925	IDLER (2)
6	TCU15036	PULLEY (3)	20	M115245	FRONT ROLLER (1)
7	M123581	DEFLECTOR (3)	21	M124203	ROLLER AXLE (1)
8	M125913	BUSHING (3)	22	JD7849	LUBRICATION FITTING (3)
9	M88251	BALL BEARING (6)			
10	M85699	SEAL (3)			

PARTS IN BOLD PRINT ARE RECOMMENDED SPARES TO HAVE ON HAND

"As Needed" Parts

Qty	Part Number	Item
3	TCA13807	Spindle Assembly
3	M144652	Blades - 54 in High Lift - Standard
3	M136195	Blades - 54 in Medium Lift
3	TCU15881	Blades - 60 in High Lift - Standard
3	M128485	Blades - 60 in Medium Lift
1	TCU13196	Belt - 54 in
1	TCU13198	Belt - 60 in