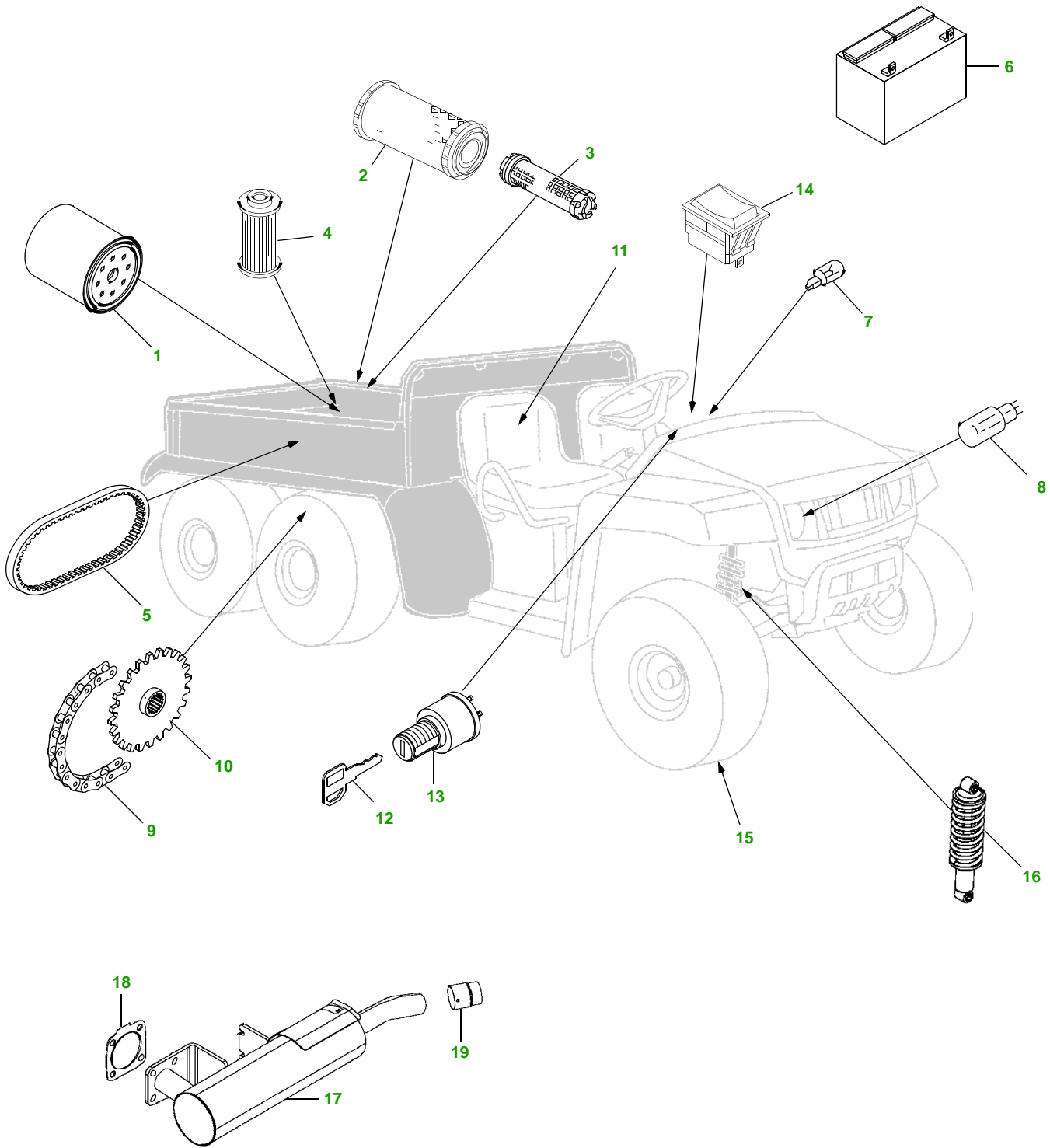


# Gator TH 6X4 Diesel



key	part no.	description	key	part no.	description
1	<b>M806418</b>	<b>OIL FILTER - ENGINE</b>		M155435	FRONT- TURF (INNOVA) (22.5X10-8)
2	<b>M113621</b>	<b>AIR FILTER - STANDARD - OUTER</b>		R90798	FRONT - KNOBBY (CARLISLE) (22.5X10-8)
3	<b>M123378</b>	<b>AIR FILTER - STANDARD - INNER</b>		M155436	FRONT - KNOBBY (INNOVA) (22.5X10-8)
4	<b>M801101</b>	<b>FUEL FILTER</b>		M118819	REAR - HPAP (CARLISLE) (25X13-9)
5	<b>M150046</b>	<b>BELT - DRIVE</b>		M155437	REAR - HPAP (INNOVA) (25X13-9)
	<b>MIU800681</b>	<b>BELT - FAN</b>		M140362	REAR, TURF (CARLISLE) (25X12-9)
6	TY25221	BATTERY (DRY)		M155438	REAR, TURF (INNOVA) (25X12-9)
7	AR62407	BULB - DASH		R90796	REAR - KNOBBY (CARLISLE) (25X12-9)
8	R136239	BULB - HEADLIGHT		M155439	REAR - KNOBBY (INNOVA) (25X12-9)
9	M152672	ROLLER CHAIN (1 PER SIDE)	16	AM130448	SPRING/SHOCK ABSORBER
10	M155314	SPROCKET		AM129514	SPRING/SHOCK ABSORBER - HEAVY DUTY
11	VG11696	SEAT	17	AM135020	MUFFLER
12	<b>AM131841</b>	<b>KEY</b>	18	M811809	GASKET
13	TCA15075	SWITCH - IGNITION	19	AM115838	ARRESTOR
14	AM117324	SWITCH - LIGHT			
15	M138664	FRONT - HPAP (CARLISLE) (22.5X10-8)			
	M155434	FRONT - HPAP (INNOVA) (22.5X10-8)			
	M140361	FRONT- TURF (CARLISLE) (22.5X10-8)			

**NOTE: MIXING BETWEEN CARLISLE AND INNOVA TIRES IS NOT ALLOWED, REPLACE IN COMPLETE SETS**

**PARTS IN BOLD PRINT ARE RECOMMENDED SPARES TO HAVE ON HAND**

**Parts Needed in First 250 hours of Operation**

Qty	Part No	Item	Capacity	Interval In Hours
2	M806418	Engine Oil Filter		20/200
1	TY22061	2 1/2 Gal Plus 50 15W40 Engine Oil	2.3 qt	20/200
1	M801101	Fuel Filter		200
2	TY16034	1 Gal Cool Gard Concentrated Coolant	8.9 qt	200
3	TY6341	Multi Purpose SD Polyurea Grease (14 oz)		As Needed

**"As Needed" Parts**

Qty	Part Number	Item
1	M113621	Air Filter - Standard - Outer
1	M123378	Air Filter - Standard - Inner
1	M150046	Belt - Drive
1	MIU800681	Belt - Fan
1	AM131841	Key
1	VGA10892	Filler Cap
1	TY26183	Grease Gun