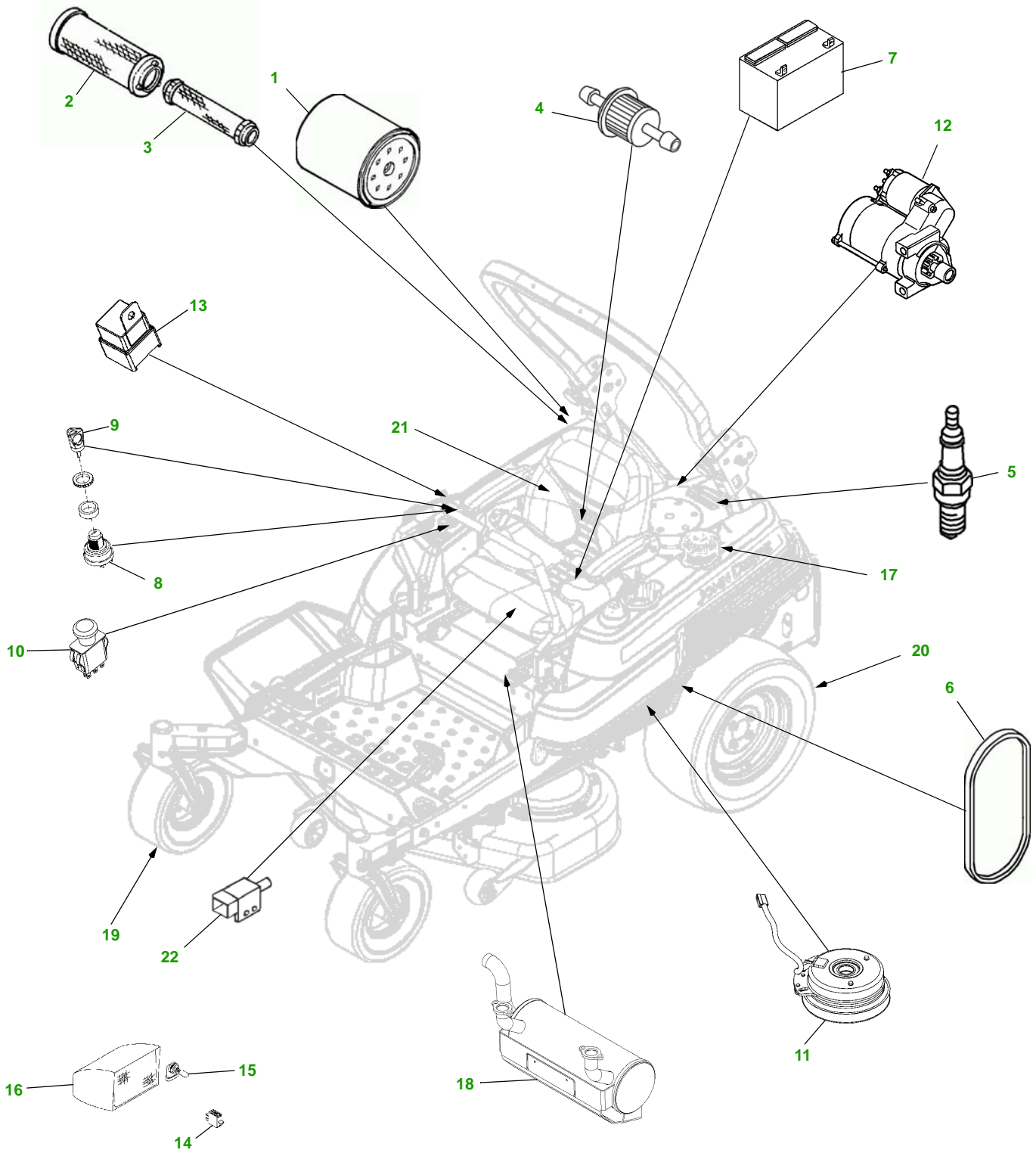


Z810A/Z820A/Z840A

(Professional Z-Trak)



key	part no.	description	key	part no.	description
1	AM107423	ENGINE OIL FILTER	13	AM123716	RELAY
2	M144100	AIR FILTER - PRIMARY	14	AM117324	SWITCH - HEADLIGHT (OPTIONAL)
3	M144098	AIR FILTER - SECONDARY	15	R136239	HEADLIGHT BULB - (OPTIONAL)
4	AM116304	FUEL FILTER	16	AM125447	HEADLIGHT - (OPTIONAL)
5	M805853	SPARK PLUG	17	AM123507	FILLER CAP
6	TCU22550	V-BELT - ENGINE DRIVE	18	TCA16952	MUFFLER - Z810A & Z820A
7	TY25221	BATTERY		TCA16953	MUFFLER - Z840A
8	TCA15075	IGNITION SWITCH	19	TCA16946	CASTER WHEEL ASSY
9	AM125504	IGNITION KEY	20	TCU22802	TIRE - REAR (22X9.5-12) - Z810A & Z820A - 48"
10	TCA17834	PTO SWITCH		TCU22112	TIRE REAR (24X12-12) - Z820A - 54" & Z840A
11	TCA16998	PTO CLUTCH - Z810A & Z820A - 48" & 54"	21	TCA17206	SEAT ASSEMBLY
	TCA16999	PTO CLUTCH - Z820A - 60" & Z840A	22	TCA15398	SEAT SWITCH
12	MIA11408	STARTER - Z810A & Z820A			
	MIA11272	STARTER - Z840A			

PARTS IN BOLD PRINT ARE RECOMMENDED SPARES TO HAVE ON HAND

Parts Needed in First 250 hours of Operation

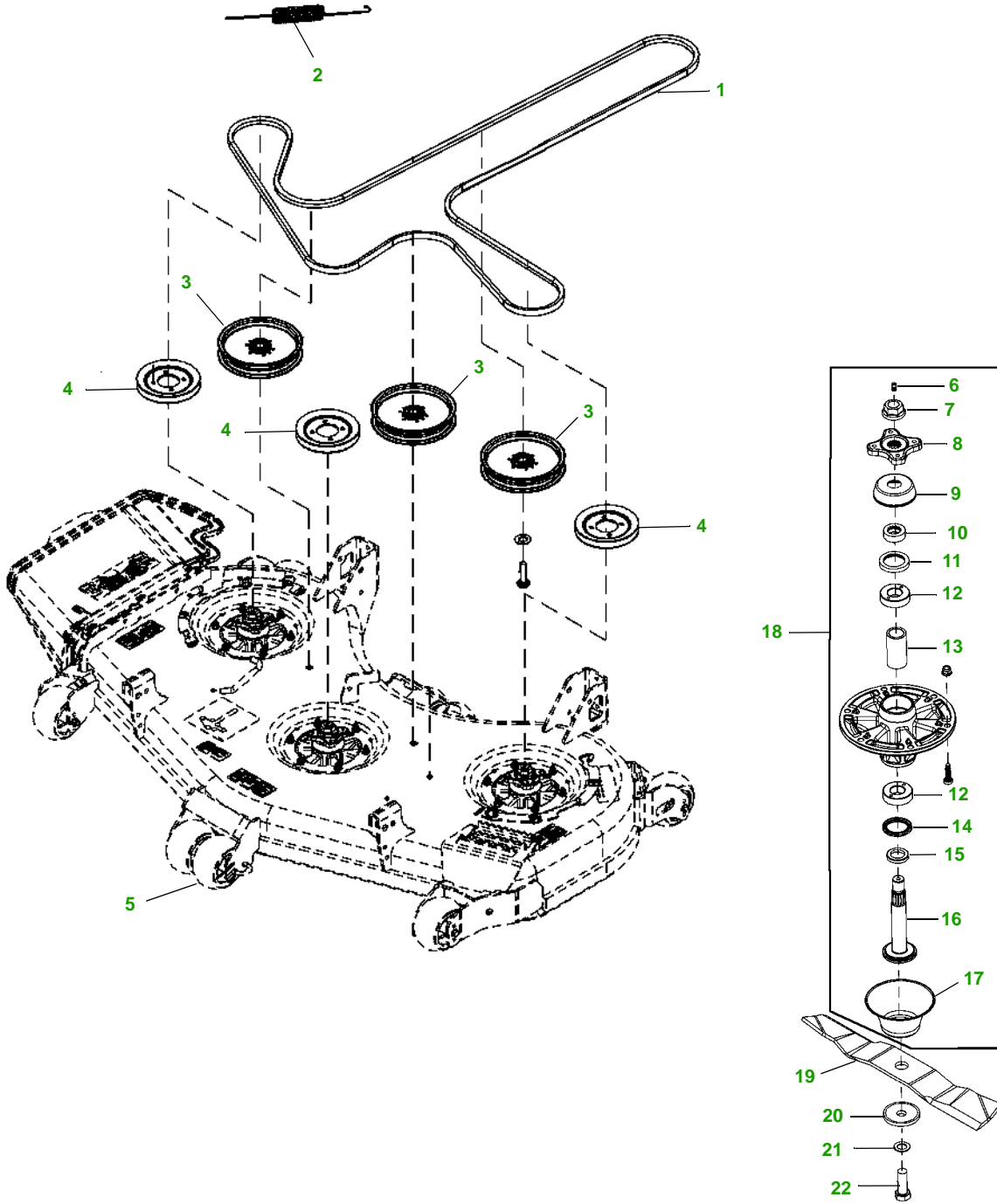
Qty	Part No	Item	Capacity	Interval In Hours
3	AM107423	Engine Oil Filter		5/100/200
6	TY22029	1 qt Turf Gard 10W30 Engine Oil	2.0 qt	5/100/200
3	TY6341	Multi Purpose SD Polyurea Grease (14 oz)		As Needed

"As Needed" Parts

Qty	Part Number	Item
1	M144100	Air Filter - Primary
1	M144098	Air Filter - Secondary
1	AM116304	Fuel Filter
2	M805853	Spark Plug
1	TCU22550	Belt - Engine Drive
1	AM123507	Filler Cap
1	AM125504	Ignition Key
1	AM130907	Mower Deck Leveling Gauge
1	TY26183	Grease Gun

48 in. / 54 in. / 60 in. / 72 in. decks

(Z800 Series)



key	part no.	description	key	part no.	description
1	TCU22532	BELT - 48"	13	M127517	SPACER
	TCU22527	BELT - 54"	14	M127198	SEAL
	TCU22509	BELT - 60"	15	M133398	WASHER
	TCU22630	BELT - 72"	16	M134382	SPINDLE
2	TCU22526	EXTENSION SPRING	17	M134305	DEFLECTOR
3	TCA17135	IDLER	18	TCA17517	SPINDLE
4	TCU25332	PULLEY	19	TCU14939	BLADE (3) - 48"
5	TCU18744	WHEEL		TCU21475	BLADE (3) - 48" - MULCHING
6	JD7849	LUBRICATION FITTING		M144652	BLADE (3) - 54"
7	M123569	FLANGE NUT		TCU15881	BLADE (3) - 60"
8	TCU23180	HUB		TCU15882	BLADE (3) - 72"
9	M123581	DEFLECTOR	20	M123522	WASHER
10	M125913	BUSHING	21	M123520	WASHER
11	M85699	SEAL	22	19M7489	CAP SCREW
12	M88251	BALL BEARING			

PARTS IN BOLD PRINT ARE RECOMMENDED SPARES TO HAVE ON HAND

"As Needed" Parts

Qty	Part Number	Item
3	TCU14939	Blades - 48 in
3	TCU121475	Blades - 48 in - Mulching
3	M144652	Blades - 54 in
3	TCU15881	Blades - 60 in
3	TCU15882	Blades - 72 in
1	TCU22532	Belt - 48 in
1	TCU22527	Belt - 54 in
1	TCU22509	Belt - 60 in
1	TCU22630	Belt - 72 in